

VANTECH

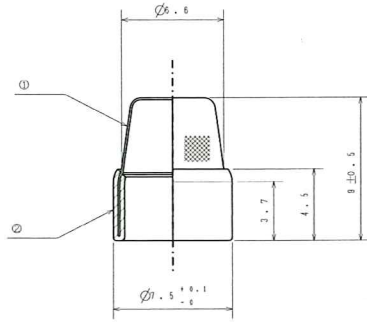
製品カタログ

PRODUCT CATALOG



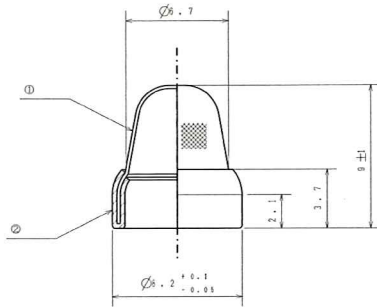
株式会社バンテック
VANTECH Co., Ltd.

Model Number **7.5×9×100**



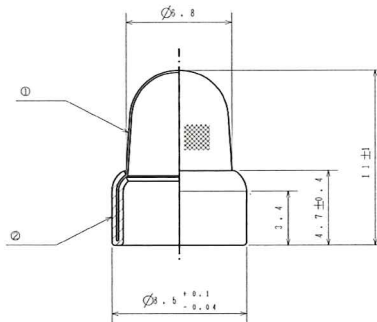
Type	絞り/DA	Origin	Japan
Description (mm)	Size: $\Phi 7.5 \times 9(L) \times 100M/S$ ① Mesh: SUS304, 100Mesh $\Phi 0.1$ ② Ring: C2680R-O t=0.3		
Tensile 抜け強度 (kgf)	20	Tensile 抜け強度 (N)	196.1
Filtration Area(cm ²)*Measured Value ろ過面積(cm ²)*実測値		1.0	

Model Number **8.2×9×100**



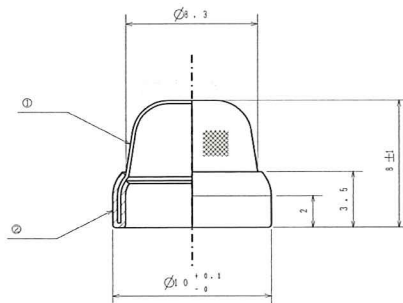
Type	絞り/DA	Origin	Japan
Description (mm)	Size: $\Phi 8.2 \times 9(L) \times 100M/S$ ① Mesh: SUS304, 100Mesh $\Phi 0.1$ ② Ring: C2680R-O t=0.3		
Tensile 抜け強度 (kgf)	17	Tensile 抜け強度 (N)	166.7
Filtration Area(cm ²)*Measured Value ろ過面積(cm ²)*実測値		0.8	

Model Number **8.5×11×150**



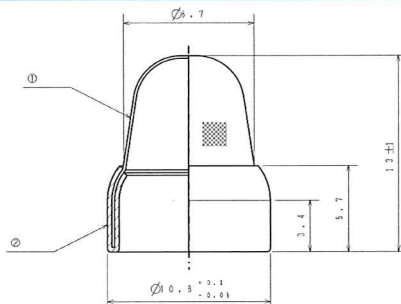
Type	絞り/DA	Origin	Japan
Description (mm)	Size: $\Phi 8.5 \times 11(L) \times 150M/S$ ① Mesh: SUS316, 150Mesh $\Phi 0.06$ ② Ring: C2680R-O t=0.3		
Tensile 抜け強度 (kgf)	20	Tensile 抜け強度 (N)	196.1
Filtration Area(cm ²)*Measured Value ろ過面積(cm ²)*実測値		1.0	

Model Number **10×8×100**



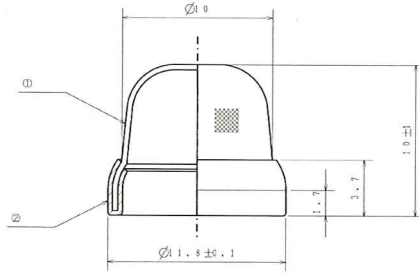
Type	絞り/DA	Origin	Japan
Description (mm)	Size: $\Phi 10 \times 8(L) \times 100M/S$ ① Mesh: SUS304, 100Mesh $\Phi 0.1$ ② Ring: C2680R-O t=0.3		
Tensile 抜け強度 (kgf)	35	Tensile 抜け強度 (N)	343.2
Filtration Area(cm ²)*Measured Value ろ過面積(cm ²)*実測値		1.0	

Model Number **10.8×13×B120**



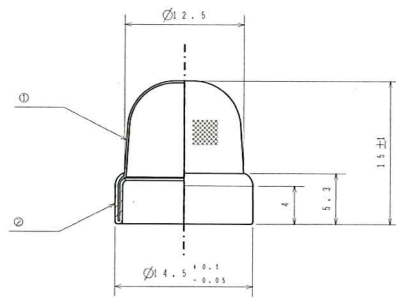
Type	絞り/DA	Origin	Japan
Description (mm)	Size: $\Phi 10.8 \times 13(L) \times B120$ ① Mesh: C2700, 120Mesh $\Phi 0.09$ ② Ring: C2680R-O t=0.3		
Tensile 抜け強度 (kgf)	15	Tensile 抜け強度 (N)	147.1
Filtration Area(cm ²)*Measured Value ろ過面積(cm ²)*実測値		1.4	

Model Number **11.8×10×50**



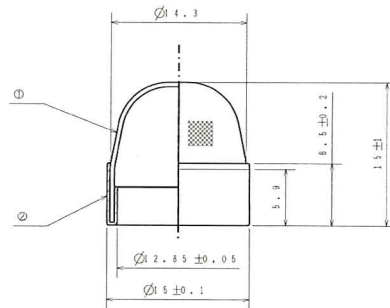
Type	絞り/DA	Origin	Japan
Description (mm)	Size: $\Phi 11.8 \times 10(L) \times 50M/S$ ① Mesh: SUS304, 50Mesh $\Phi 0.18$ ② Ring: C2680R-O t=0.3		
Tensile 抜け強度 (Kgf)	22	Tensile 抜け強度 (N)	215.8
Filtration Area(cm ²)*Measured Value ろ過面積(cm ²)*実測値		1.4	

Model Number **14.5×15×100**



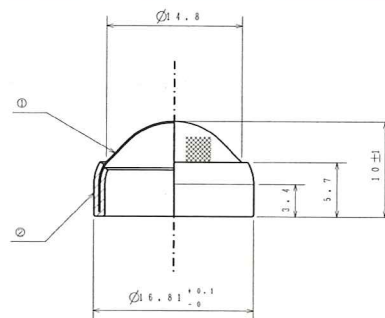
Type	絞り/DA	Origin	Japan
Description (mm)	Size: $\Phi 14.5 \times 15(L) \times 100M/S$ ① Mesh: SUS304, 100Mesh $\Phi 0.1$ ② Ring: C2680R-O t=0.3		
Tensile 抜け強度 (Kgf)	25	Tensile 抜け強度 (N)	245.2
Filtration Area(cm ²)*Measured Value ろ過面積(cm ²)*実測値		2.8	

Model Number **15×ID12.85×15×50**



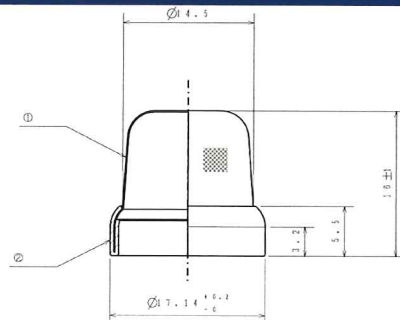
Type	絞り/DA	Origin	Japan
Description (mm)	Size: $\Phi 15 \times 15(L) \times 50M/S$ ① Mesh: SUS304, 50Mesh $\Phi 0.18$ ② Ring: C2680R-O t=0.3		
Tensile 抜け強度 (Kgf)	50	Tensile 抜け強度 (N)	490.4
Filtration Area(cm ²)*Measured Value ろ過面積(cm ²)*実測値		2.5	

Model Number **16.8×10×B150**



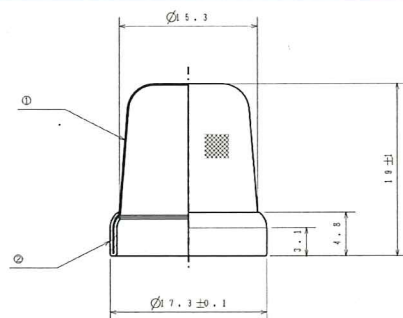
Type	絞り/DA	Origin	Japan
Description (mm)	Size: $\Phi 16.81 \times 10(L) \times B150M/S$ ① Mesh: C2400, 150Mesh $\Phi 0.07$ ② Ring: C2680-O t=0.5		
Tensile 抜け強度 (Kgf)	24	Tensile 抜け強度 (N)	235.4
Filtration Area(cm ²)*Measured Value ろ過面積(cm ²)*実測値		2.4	

Model Number **17.14×16×B150**



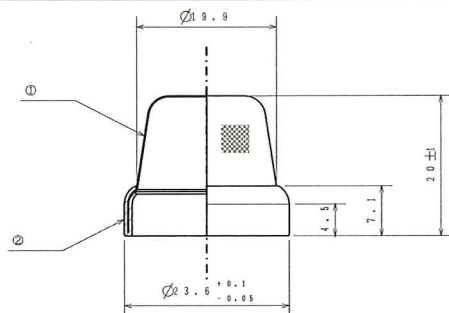
Type	絞り/DA	Origin	Japan
Description (mm)	Size: $\Phi 17.14 \times 16(L) \times B150M/S$ ① Mesh: C2400, 150Mesh $\Phi 0.07$ ② Ring: C2680R-O, t=0.4		
Tensile 抜け強度 (Kgf)	21	Tensile 抜け強度 (N)	205.9
Filtration Area(cm ²)*Measured Value ろ過面積(cm ²)*実測値		3.6	

Model Number **17.3×19×B150**



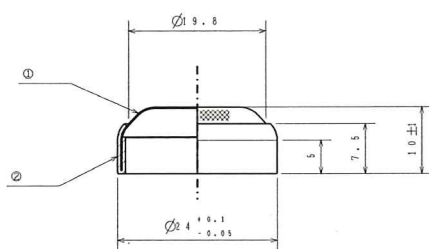
Type	絞り/DA	Origin	Japan
Description (mm)	Size: $\Phi 17.3 \times 19(L) \times B150M/S$ ① Mesh: C2400, 150Mesh $\Phi 0.07$ ② Ring: C2680R-O, t=0.3		
Tensile (Kgf)	21	Tensile (N)	205.9
Filtration Area (cm ²)*Measured Value		5.1	
ろ過面積 (cm ²)*実測値			

Model Number **23.6×20×150**



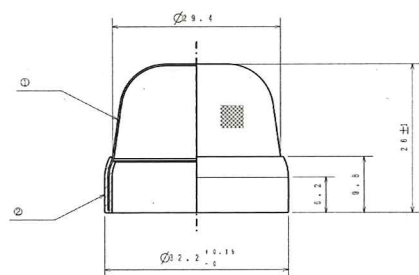
Type	絞り/DA	Origin	Japan
Description (mm)	Size: $\Phi 23.6 \times 20(L) \times 150M/S$ ① Mesh: SUS316 150Mesh $\Phi 0.06$ ② Ring: C2680R-O, t=0.5		
Tensile (Kgf)	20	Tensile (N)	196.1
Filtration Area (cm ²)*Measured Value		11.2	
ろ過面積 (cm ²)*実測値			

Model Number **24×10×100**



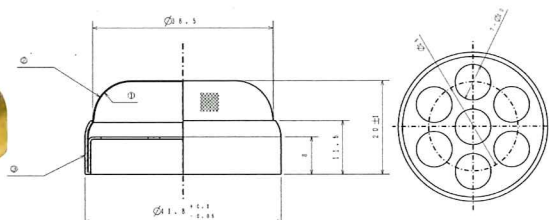
Type	絞り/DA	Origin	Japan
Description (mm)	Size: $\Phi 24 \times 10(L) \times 100M/S$ ① Mesh: SUS304, 100Mesh $\Phi 0.1$ ② Ring: C2680R-O, t=0.5		
Tensile (Kgf)	50	Tensile (N)	490.4
Filtration Area (cm ²)*Measured Value		3.5	
ろ過面積 (cm ²)*実測値			

Model Number **32.2×26×60**



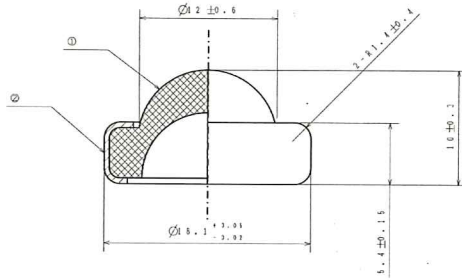
Type	絞り/DA	Origin	Japan
Description (mm)	Size: $\Phi 32.2 \times 26(L) \times 60M/S$ ① Mesh: SUS304, 60Mesh $\Phi 0.14$ ② Ring: C2680R-O, t=0.5		
Tensile (Kgf)	50	Tensile (N)	490.4
Filtration Area (cm ²)*Measured Value		10.3	
ろ過面積 (cm ²)*実測値			

Model Number **41.8×20×100-10**



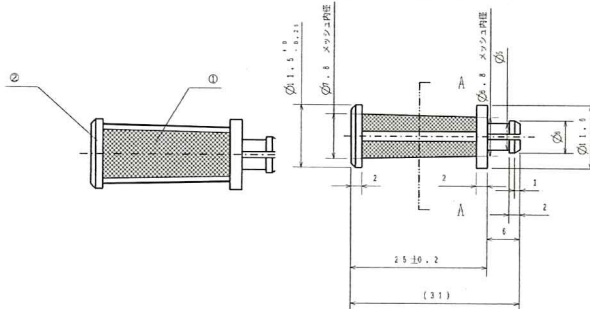
Type	絞り/DA	Origin	Japan
Description (mm)	Size: $\Phi 41.8 \times 20(L) \times 100/10M/S-7\text{holes}$ ① Mesh: Inner: SUS304, 100Mesh $\Phi 0.1$ ② Outer: SUS304, 10Mesh $\Phi 0.47$ ③ Holder: C2680R-O t=0.5		
Tensile (Kgf)	50	Tensile (N)	490.4
Filtration Area (cm ²)*Measured Value		14.3	
ろ過面積 (cm ²)*実測値			

Model Number **18.1 × 10 × DEMISTER**



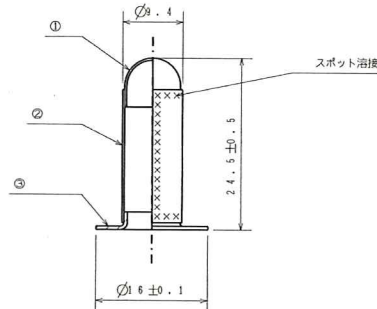
Type	絞り/DA	Origin	Japan
Description	Size: Φ18.1x10(L)xDEMISTER (mm) ① Mesh:SUS304-W1 Φ0.15 圧縮成形(Compressed) ② Holder:C2680R-O, t=0.5		

Model Number **11.5 × 25 × 80**



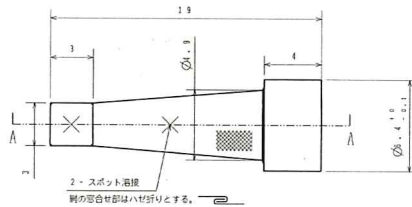
Type	樹脂成形/Molding	Origin	China
Description	Size: Φ11.5x25(L)x80M/S (mm) ① Mesh: SUS304, 80Mesh Φ0.12 ② Holder: PPS 1130T6, HD9050(Black)		
Tensile 抜け強度 (Kgf)	7.5	Tensile 抜け強度 (N)	73.5
Filtration Area(cm ²)*Measured Value ろ過面積(cm ²)*実測値		5.1	

Model Number **16 × 24.5 × 20**



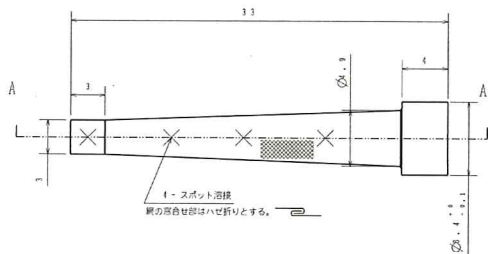
Type	スポットフランジ/FW	Origin	China
Description	Size: Φ16.0x24.5(L)x20M/S (mm) ① Mesh: SUS304, 20Mesh Φ0.3 ② Mesh: SUS304, 20Mesh Φ0.3 ③ Holder: SUS304 t=0.5		
Tensile 抜け強度 (Kgf)	55	Tensile 抜け強度 (N)	539.4
Filtration Area(cm ²)*Measured Value ろ過面積(cm ²)*実測値		5.7	

Model Number **6.4 × 19 × 100**



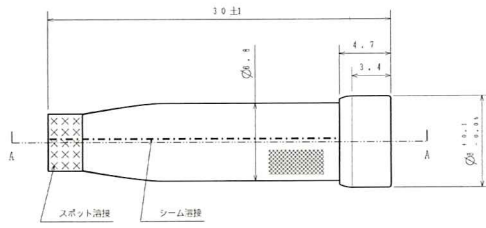
Type	スポット/WA	Origin	China
Description	Size: Φ6.4x19(L)x100M/S (mm) ① Mesh: SUS304, 100Mesh Φ0.1 ② Ring: C2680R-O t=0.4		
Tensile 抜け強度 (Kgf)	16	Tensile 抜け強度 (N)	156.9
Filtration Area(cm ²)*Measured Value ろ過面積(cm ²)*実測値		1.8	

Model Number **6.4 × 33 × 100**



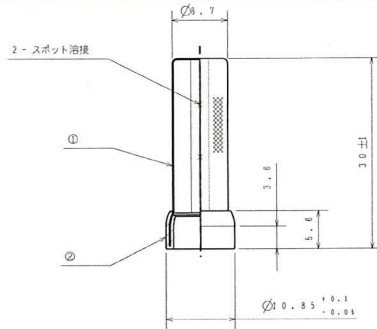
Type	スポット/WA	Origin	China
Description	Size: Φ6.4x33(L)x100M/S (mm) ① Mesh: SUS304, 100Mesh Φ0.1 ② Ring: C2680R-O t=0.4		
Tensile 抜け強度 (Kgf)	20	Tensile 抜け強度 (N)	196.1
Filtration Area(cm ²)*Measured Value ろ過面積(cm ²)*実測値		3.6	

Model Number **8.0×30×120**



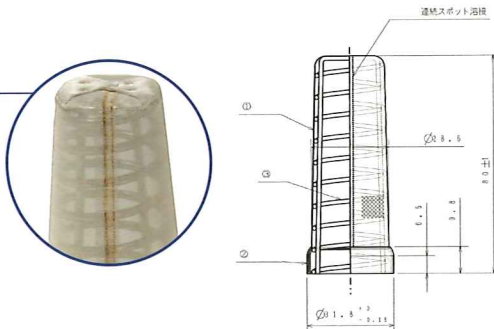
Type	シーム/WA	Origin	China
Description (mm)	Size: Ø8.0x30(L)x120M/S ① Mesh: SUS304, 120Mesh Ø0.8 ② Ring: C2680R-O t=0.3		
Tensile 抜け強度 (Kgf)	14	Tensile 抜け強度 (N)	137.3
Filtration Area(cm ²)*Measured Value ろ過面積(cm ²)*実測値		3.9	

Model Number **10.85×30×60**



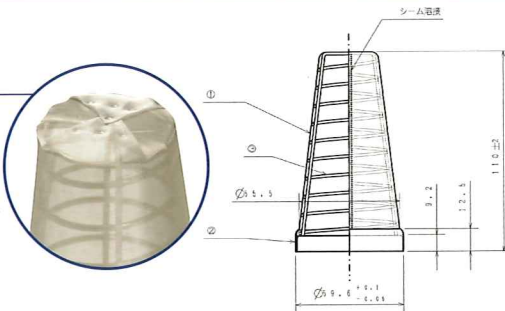
Type	シーム/WA	Origin	China
Description (mm)	Size: Ø10.85x30(L)x60M/S ① Mesh: SUS304, 60Mesh Ø0.14 ② Ring: C2680R-O t=0.5		
Tensile 抜け強度 (Kgf)	24	Tensile 抜け強度 (N)	235.4
Filtration Area(cm ²)*Measured Value ろ過面積(cm ²)*実測値		5.4	

Model Number **31.8×80×100×SP**



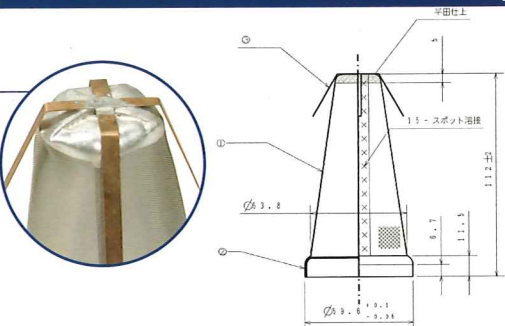
Type	スポット/WA	Origin	China
Description (mm)	Size: Ø31.8x80(L)x100M/S ① Mesh: SUS304, 100Mesh Ø0.1 ② Ring: C2680R-O t=0.5 ③ Coil: SUS304Ø1.6 補強材(Enforcement)		
Tensile 抜け強度 (Kgf)	50	Tensile 抜け強度 (N)	490.4
Filtration Area(cm ²)*Measured Value ろ過面積(cm ²)*実測値		54.3	

Model Number **59.6×110×150×SP**



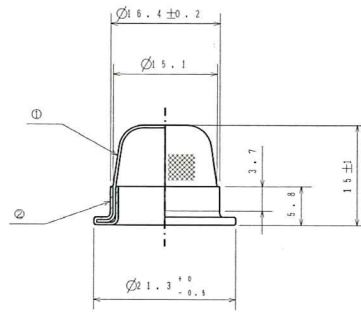
Type	スポット/WA	Origin	China
Description (mm)	Size: Ø59.6x110(L)x150M/SxSP ① Mesh: SUS316, 150Mesh Ø0.06 ② Ring: C2680R-O t=0.5 ③ Coil: SUS304Ø1.5 補強材(Enforcement)		
Tensile 抜け強度 (Kgf)	50	Tensile 抜け強度 (N)	490.4
Filtration Area(cm ²)*Measured Value ろ過面積(cm ²)*実測値		138.6	

Model Number **59.6×112×100×HA**



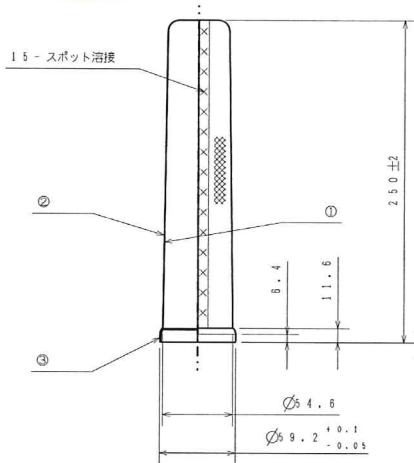
Type	スポットハンダ/WA	Origin	Japan
Description (mm)	Size: Ø59.6x112(L)x100M/S ① Mesh: SUS304, 100Mesh Ø0.1 ② Ring: C2680R-O t=0.5 ③ Flat Spring Plate: C5191P t=0.3		
Tensile 抜け強度 (Kgf)	38	Tensile 抜け強度 (N)	372.7
Filtration Area(cm ²)*Measured Value ろ過面積(cm ²)*実測値		130.0	

Model Number **21.3×16.4×15×100**



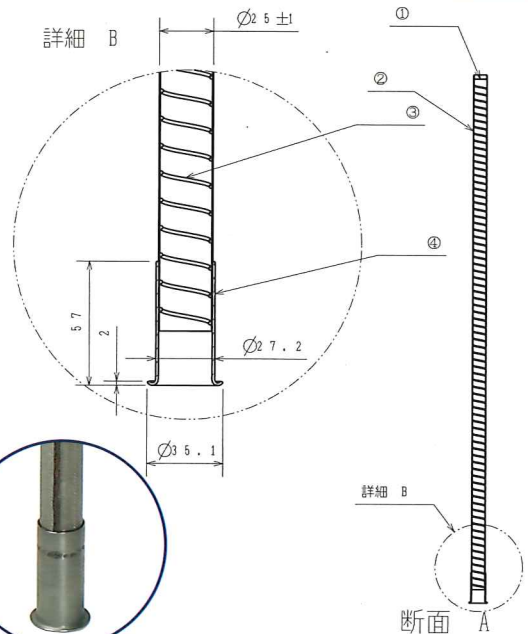
Type	絞りフランジ/FW	Origin	Japan
Description (mm)	Size: Φ21.3(OD)×φ16.4(ID)×15(L)×100M/S ① Mesh: SUS304, 100Mesh Φ0.1 ② Holder: SUS304 t=0.4		
Tensile 抜け強度 (Kgf)	50	Tensile 抜け強度 (N)	490.4
Filtration Area(cm ²)*Measured Value	ろ過面積(cm ²)*実測値 4.7		

Model Number **59.2×250×40-120**



Type	スポット/WA	Origin	China
Description (mm)	Size: Φ59.2x250(L)x40-120M/S ① Inner Mesh: SUS304, 40Mesh Φ0.18 ② Outer Mesh: SUS304, 120Mesh Φ0.08 ③ Ring: C2680R-O t=0.5		
Tensile 抜け強度 (Kgf)	50	Tensile 抜け強度 (N)	490.4
Filtration Area(cm ²)*Measured Value	ろ過面積(cm ²)*実測値 336.1		

Model Number **Delaval Element35.1×972×60/60**



Type	連続スポット/Continuous Spot Welding
Origin	Japan
Description (mm)	Size: Φ35.1x972(L)x60/60M/S ① Cap: SUS304 Twilled 60/60Mesh ② Body: SUS304 Twilled 60/60Mesh ③ Coil: SUS304-WPBΦ1.6 補強材(Enforcement) ④ Holder: SUS304 TP-S t=1.2
Filtration Area(cm ²)*Measured Value	ろ過面積(cm ²)*実測値 717.1

「欧州RoHS指令対応について」 EU RoHS Compliance

- ・当カタログに記載の製品は、全て欧州RoHS指令に対応した製品です。
- * All the products in this catalog comply with EU.
- ・欧州RoHS指令とは、欧州の「電気電子機器中の特定の危険物質の使用制限に関する指令 (2002/95/EC) およびその修正指令を指します。
- * EU RoHS is "the European Directive 2002/95/EC on the Restriction of the Use of Certain Hazardous Substances in Electrical and Electronic Equipment".





株式会社バンテック VANTECH Co.,Ltd.

email:info@vth.co.jp



本 社

〒327-0103 栃木県佐野市石塚町3000-2
TEL 0283-86-8668
FAX 0283-86-8669

Head Office

3000-2 Ishizuka-cho Sano City, Tochigi 327-0103
TEL 0283-86-8668 FAX 0283-86-8669
URL: <http://www.vth.co.jp>

田沼工場

〒327-0306 栃木県佐野市戸室町165
TEL/FAX 0283-62-3246

Tanuma factory

165 Tomuro-cho Sano City, Tochigi 327-0306
TEL 0283-62-3246



タイ工場 VANTECH M.F CO., LTD. (Vantech Factory in Thailand)

200/6 VILLAGE 2 KLONGTAMRU SUB-DISTRICT, MUANGCHONBURI DISTRICT, CHONBURI PROVINCE 20000, THAILAND
TEL 66-38-465-107 FAX 66-38-465-109
URL: <http://www.vthmf.com>



中国工場

沈阳大岛金属过滤网制造有限公司
沈阳市于洪区平罗镇青堆子村
TEL 86-24-89286866 FAX 86-24-89286661

Shenyang Oshima Metal Filter Co.,, Ltd.

Shenyang-Shi, Yu Hong-Qu, Ping Luo Zhen Qing Dui Zi-Cun 110147
TEL 86-24-89286866 FAX 86-24-89286661
URL: <http://www.dadaoce.com>

